

Linde forklifts H 16 to H 180 with  
hydrostatic drive.

Capacity 3,000 to 40,000 lb.

Linde Material Handling

*Linde*





**Unchallenged performance.** Linde forklifts for every application. Our customers set exacting standards in material handling. Innovative technology, high productivity, maximum efficiency. Their requirements inspire us to build forklift trucks of exceptional performance.

For every type of application and every size of load. Whatever your handling needs, you can rely on Linde for the right solution every time.



The range of models we offer is comprehensive. From the compact H 16 to the high capacity H 180. Distinctive design reflecting continuous progress. Advanced technology, embodying performance in the workplace. Linde makes things move in material handling.



Versatile.  
Some operators prefer the single pedal travel control over the dual pedal system.



Minimum physical effort.  
Effortless control of all mast and operational hydraulic functions with the unique Linde Load Control joysticks.



Fully informed.  
Essential information is presented on the glarefree multi-function instrument display at the press of a button.



Motivation.  
Comfort for the operator throughout the shift with cab heater, optional air conditioning.

## Leading the way. Professional workspace design.

Operators perform best when working conditions are perfect, as they are on a Linde forklift.

- Spacious leg and head room.
- Ergonomic controls.
- Clearly arranged instruments.

Designed throughout to make the tasks easier, more efficient and user-friendly for the operator. Seat, armrest and steering are adjustable to personal preferences. All controls and displays are located for intuitive use.

Effortless, fingertip actuation of the Linde Load Control joysticks enables the heaviest loads to be positioned with precision and safety. Travel speed and direction is coordinated by the Linde twin directional control pedals, which eliminate the need for the operator to constantly move from accelerator to brake pedal. These features translate into real benefits, motivating the operator to achieve more, in less time and in total comfort.



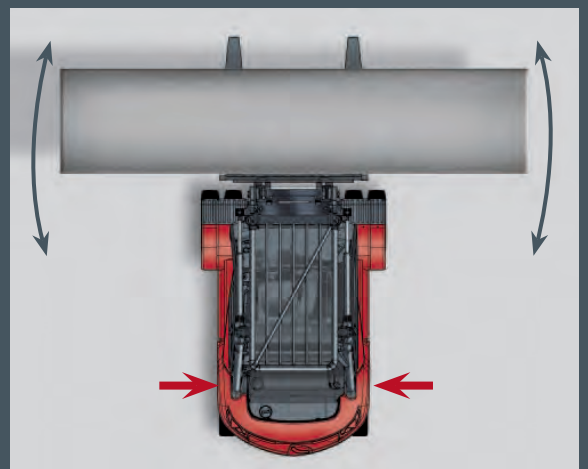
# Powerplay. Linde H 60-H 80 forklifts.

The H 80 model extends load capacity of the Linde forklift range to 17,500 lbs., at 43 inch load center. Technical supremacy of the Linde H 80 is impressively demonstrated in applications that test the truck to the utmost. Whether the job demands speed or power – or both – the Linde H 80 is up to the task. Rugged enough to move the heaviest loads with ease. Yet precise enough to ensure they are handled with safety and precision.

Safety is maximized by Linde Torsion Support on the cab roof. By neutralizing up to 30 % of the torsional forces, stresses on the mast are minimized. As a result, these trucks are the true heavyweight specialists.



Top-mounted tilt cylinders minimize mast deflections. Heavy loads are always under control throughout the handling cycle.



Sturdy overhead guard with Linde Torsion Support absorbs up to 30 % of torsional forces.





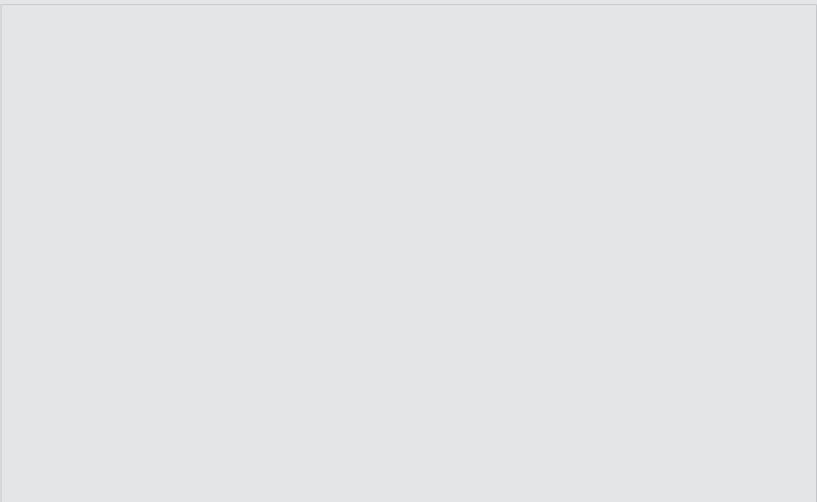


# Masterful precision. The original. Linde hydrostatic drive.

Linde's launch of the first hydrostatic transmission in 1958 marked a milestone in the history of forklift engineering. Many features have been enhanced and optimized in the meantime. However, one thing that hasn't changed is the leading international position held by Linde hydrostatic drive.

Seamless acceleration and reversing, pinpoint accuracy when positioning, virtually maintenance-free. The difference is compelling. The truck responds smoothly and instantly to every command with masterful precision.

This is expressed in the exceptional efficiency, safety, reliability, and economy with which loads are moved. Performance that ensures your business goals are realized.



## No inching pedal! No conventional brakes!

Travel forward and in reverse is controlled by two separate pedals. The operator of a Linde forklift simply keeps both feet on these pedals. Use of the brake pedal is only required in emergency situations, since hydrostatic braking occurs automatically as either pedal is released. Handling of the truck itself is responsive and exact. The operator always has full control.



# Tangible safety. Optimum visibility for efficient operation.

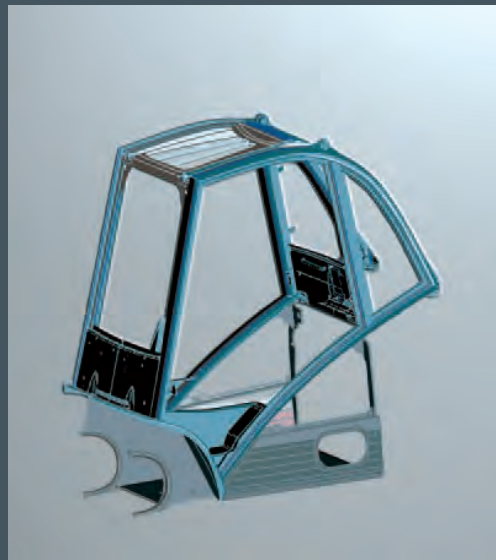
With top-mounted tilt cylinders enabling a narrow mast profile design, visibility is excellent and load stability is significantly enhanced. An integrated protective frame ensures the safety of the operator. Safety for the operator and protection of the load takes priority in the design of every Linde forklift.

With good reason. Enhanced performance only has real value when there is no compromise on safety. As the commanding visual element of the truck's design, the ProtectorFrame immediately impresses. It provides solid protection for the operator. Isolation of the mast and drive axle from cab and chassis results in reduced shock and vibration. Combined with the unique top-mounted tilt cylinders, this means that the load remains stable and safely under control at all times.

Even when stationary, a Linde forklift is ahead of the competition where safety is concerned. Should the operator forget to apply the parking brake the Linde hydrostatic transmission system automatically prevents the truck from rolling on a level surface.



Clear-visibility mast. Top-mounted tilt cylinders allow use of narrow mast sections.



Linde ProtectorFrame. Unitized design yields reinforced overhead guard and frame structure.



Narrow mast sections provide excellent visibility of load and workplace.





## Linde PureMotion

### Environmentally-friendly technology from Linde.

Linde PureMotion is the name given to the entire range of environmentally-friendly measures designed and built into each and every Linde truck. Linde forklift trucks are extremely quiet and produce low levels of harmful substances.

Our diesel and LPG engines offer more favorable results. The high overall energy efficiency of our engines is unrivalled in the market.

Low emission levels, low noise, and reduced production of hazardous substances are just the beginning. A further key issue is the aspect known as "human vibration". With the concept of uncoupling the mast and the axles from the chassis and the driver's cabin, Linde forklift trucks offer operators a practically vibration-free workplace.



## Increased performance. Greater economy. Quality engineering improves your bottom line.

The tougher competition gets, the more important quality becomes. Quality is a motivating factor. And it pays dividends. Take productivity for example: Linde forklifts are renowned for high uptime, which brings down the operating costs for every working hour. Ergonomic ease of handling reduces handling times—increasing productivity. In addition, with the Linde hydrostatic drive system, fewer consumable parts are required, and reduced maintenance results in a vastly improved bottom-line performance

Every day, a Linde forklift translates cutting-edge technology into tangible competitive advantages for your business. How much you profit from these features is determined by you because as your Linde forklift fleet grows, so do the benefits.

# Inspired design. Features that save you money. Features that increase functionality.

An important part of operational cost is maintenance. Linde engineers design components, assemblies, and systems to minimize financial exposure for the owner.

One of the numerous benefits of choosing Linde trucks is the "inspired design" that allows Linde to incorporate the longest maintenance intervals in the industry. This translates into better availability of the equipment and eliminates costly wear items such as brake linings, differentials, clutch packs, mechanical transmissions, etc.

When it does become necessary to work on the trucks, Linde forklifts have no equal concerning accessibility and quick evaluation of any component. From removable side panels to the tilting cab, Linde trucks offer unparalleled access to all parts and assemblies.





## Adaptability.

Forklifts are used in a wide range of applications. These machines can be found in brickyards, foundries, aluminum smelters, beverage plants, lumber yards, recycling operations, etc. There is no end to the potential use of a Linde truck. As different as these industries are, they all have one thing in common—unique requirements.

Linde recognizes the uniqueness of each industry and has specialized in adapting our trucks to meet these specific conditions. Offering custom protective packages is a specialty—adding an attachment is only the first step.

Form follows function and Linde knows this well. Our forklifts are designed to maximize utilization and the customers investment. These machines are designed by specialists for specialists; it is what Linde does best.

First-class quality, low-maintenance technology, and responsive service.  
Linde forklifts keep working around the clock.

0:00 1:00 2:00 3:00 4:00 5:00 6:00 7:00 8:00 9:00 10:00 11:00 12:00 13:00 14:00 15:00 16:00



Efficiency over the long haul.  
Linde quality in technology and service.





Expert service close to you.  
Your local Linde partner stocks  
original Linde parts.

17:00 18:00 19:00 20:00 21:00 22:00 23:00 24:00 1:00 2:00 3:00 4:00 5:00 6:00 7:00 8:00 9:00



Apart from aesthetic appeal and unique technical features, Linde forklifts are built for durability. In tough everyday applications their reliability and durability is renowned. It's not unusual for Linde forklifts to log 20,000 operating hours and beyond during their lifetime, saving their owners money every single hour.

# Widest choice of models.

## Overview of the Linde engine-powered range.



Model

H 16, H 18, H 20

H 25, H 30, H 35

Series

Series 391 \*

Series 393 \*

Capacity

3,000 to 4,500 lb.

5,000 to 7,000 lb.

Model description

A small truck to satisfy big needs. Versatile in application, extremely economical in operation and upkeep. Compact in design, the H 16–H 20 is in its element feeding an assembly line, loading/unloading trucks/trailers or in a beverage warehouse. Its special strengths are appreciated wherever space is limited.

The H 25–H 35 leads the way in styling and engineering of forklift trucks. Distinguishing features are remarkable, incorporating slim mast profiles and a high-torque engine specifically matched to the task. As a result, the H 25–H 35 range has an impressive high-performance pedigree. Environmentally friendly and extremely economical – as is the case with every Linde model.

\* Available with LPG engines.



H 40, H 45, H 50

Series 394 \*

8,000 to 10,000 lb.

A robust, powerful range that impressively demonstrates its capabilities when handling sensitive yet heavy loads of the type encountered in the concrete, building materials, paper, and metalworking industries.

The H 40–H 50 range is assisted in this by its unique ergonomic design concept.

The operator works from a comfortable seat with plenty of head and leg room and excellent all around visibility. It takes little effort to store or retrieve heavy loads with efficient precision giving your business that competitive edge.



H 60, H 70, H 80  
H 80/900, H 80/1100

Series 396

13,000 to 17,500 lb.

For loads weighing up to 17500 lb.. Applications involving specialized attachments to handle paper rolls, bricks, construction materials, etc. Tough handling problems disappear when tackled with the H 60 - H 80. Safety is also assured. In addition to its function as an overhead guard, the Linde Torsion Support System stabilizes and controls swinging loads and dynamic forces. The mast tilt cylinders are mounted above the cab roof, minimizing mast deflections.



H 100, H 120, H 140, H 150, H 160, H 180,  
H 120-1200, H 140-1200 and H 160-1200

Series 359

22,000 to 40,000 lb.

The largest forklifts with up to 40,000 lb. capacity, now available with Linde hydrostatic drive. New mast rails, specifically designed to control extreme torsion, assist in stabilizing frequently wide and bulky loads. Power is supplied by a powerful Cummins 6-cylinder diesel engine—not just powerful, but also Tier 3 emission compliant. Features such as dynamic braking/automatic deceleration and low maintenance are now also found on the "big trucks".



Linde ranks among the world's leading material handling equipment manufacturers. This position has been justly earned. Linde trucks excel not only with their recognized innovative technology but especially their low energy and operating costs.

High quality in production is matched by the standard of the services we provide. With our ten manufacturing plants and a comprehensive network of local sales partners, we are at your call around the clock and around the world.

Your local Linde dealer offers you a complete single-source package. From qualified pre-sales consulting through the sale to after-sales service; including finance packages matched to your business requirements. Leasing, rental or purchase. Flexibility is maintained in your operational and decision-making processes.



**For more information on Linde material handling equipment, please contact:**

KION North America Corporation  
2450 West 5th North Street, Summerville, SC 29483  
Phone: (843) 875-8000 Truck Sales Fax: (843) 875-8471  
E-mail: [trucksales.na@kiongroup.com](mailto:trucksales.na@kiongroup.com)  
[www.kion-na.com](http://www.kion-na.com)