



Counterbalanced Forklift 5,000/7,000 lbs. Capacity

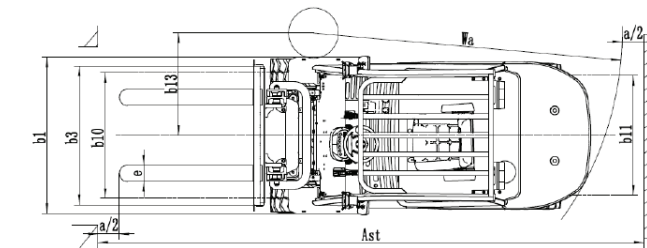
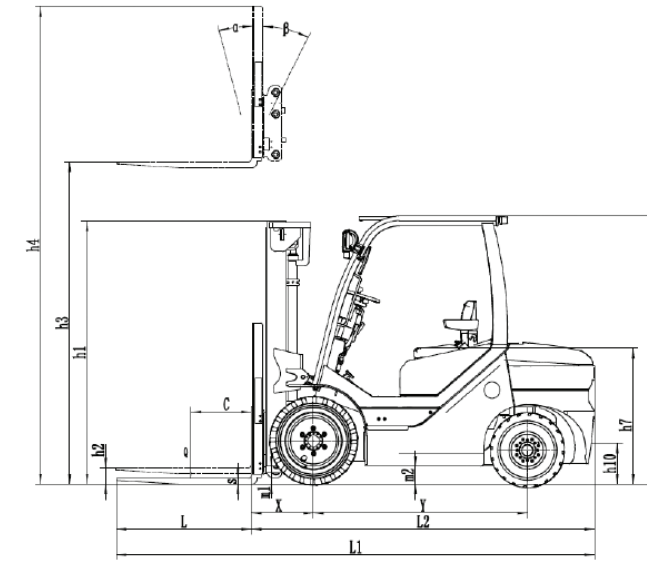
KBD25/KBD35
Series 6006 Diesel Forklift Trucks



Technical Data

June 2017

POS	ITEM DESCRIPTION	UNIT	KION BAOLI		KION BAOLI		
Specification	1.1	Manufacturer	KION BAOLI		KION BAOLI		
	1.2	Model designation	KBD25		KBD35		
	1.3	Power unit	Diesel		Diesel		
	1.4	Operation	Rider Seated		Rider Seated		
	1.5	Load capacity	Q	5000 lbs	2270 kg	7000 lbs	3177 kg
	1.6	Load center	c	24 in	600 mm	24 in	600 mm
	1.8	Axle center to fork face	x	19 in	484 mm	19 in	484 mm
	1.9	Wheelbase	y	67 in	1700 mm	67 in	1700 mm
	Weight	2.1	Service weight	9789 lbs		4440 kg	
2.2.1		Axle load with load, front	12998 lbs		5896 kg		
2.2.2		Axle load with load, rear	1772 lbs		804 kg		
2.3.1		Axle load without load, front	4806 lbs		2180 kg		
2.3.2		Axle load without load, rear	4982 lbs		2260 kg		
Wheels and Tires	3.1	Tire: SE=(superelastic), P=(pneumatic), C=(cushion)	SE		SE		
	3.2	Tire size, front	28X9X15-14		28X9X15-14		
	3.3	Tire size, rear	6.50X10X10		6.50X10X10		
	3.5	Wheels, number front/rear (X=drive)	2X/2		2X/2		
	3.6	Track width, front	b10 mm(in)	39 in	1000 mm	41.7 in	1060 mm
	3.7	Track width, rear	b11 mm(in)	38 in	970 mm	38 in	970 mm
	Dimensions and Overall Sizes	4.1	Mast tilt, forward/backward	/ (°)		6°/6°	
4.2		Height of mast, lowered	h1	90 in	2280 mm	90 in	2280 mm
4.3		Free lift	h2	50 in	1260 mm	41 in	1052 mm
4.4		Lift	h3	189 in	4800 mm	189 in	4800 mm
4.5		Height of mast, extended	h4	230 in	5840 mm	239 in	6073 mm
4.7		Height of overhead guard (cabin)	h6	83 in	2108 mm	83 in	2108 mm
4.8		Height of drive seat	h7	43 in	1085 mm	43 in	1085 mm
4.12		Tow coupling height	h10	12 in	300 mm	12 in	300 mm
4.19		Overall length	l1	156 in	3955 mm	162 in	4105 mm
4.20		Length to fork face	l2	105 in	2665 mm	111 in	2815 mm
4.21		Overall width	b1 / b2	48 in	1225 mm	51 in	1295 mm
4.22		Fork dimensions SxExL	SxExL	1.5X4X48 in	38x102x1219 mm	1.75X5X48 in	44x127x1219 mm
4.24		in of fork carriage	b3	41 in	1040 mm	43 in	1100 mm
4.31		Ground clearance with load, mast	m1	5 in	135 mm	5 in	135 mm
4.32		Ground clearance with load, center of wheelbase	m2	6 in	140 mm	6 in	140 mm
4.33		Aisle width, 48" (1220mm) load & 8" (200mm) clearance	Ast	162 in	4124 mm	166 in	4224 mm
4.34		Aisle width, add load & operational clearance	Ast	170 in	4324 mm	174 in	4424 mm
4.35		Turning radius	Wa	96 in	2440 mm	100 in	2540 mm
4.36		Minimum pivoting point distance	b13	32 in	810 mm	32 in	810 mm
Performance		5.1.1	Travelling speed, with load	11.8 mph		19 kmh	
	5.1.2	Travelling speed, without load	12.4 mph		20 kmh		
	5.2	Lifting speed, with load	84.4 fpm		0.43 m/s		
		Lifting speed, without load	92.1 fpm		0.47 m/s		
	5.3	Lowering speed, with load	86 fpm		0.44 m/s		
		Lowering speed, without load	87.6 fpm		0.45 m/s		
	5.5	Tractive force, with load	4384 lbf		19500 N		
		Tractive force, without load	2653 lbf		11800 N		
	5.7	Climbing ability, with load	15 %		15 %		
		Climbing ability, without load	15 %		15 %		
5.10	Service brake	Mechanical/hydraulic		Mechanical/hydraulic			
Engine	7.1	Engine manufacturer/type	Kohler KDI1903 TCR 1.8L		Kohler KDI1903 TCR 1.8L		
	7.2	Engine rated power according to ISO 1585	56 hp		42 kw		
	7.3	Rated speed	2600 rpm		2600 rpm		
	7.4	Number of cylinders/displacement	3/110 cu3		3/1800 cc		
Other	8.1	Type of drive control	Torque Converter		Torque Converter		
	8.2	Working pressure for attachments	175 psi		2530 bar		
	10.1	Volume fuel tank	13.21 gal		50 l		



Performance

A powerful Kohler Tier 4 turbo diesel engine provides outstanding quality and performance. Kohler's advanced, common rail direct injection system and Electronic Control Unit (ECU) with fuel mapping make these trucks more fuel efficient. Maintenance costs are lower with no requirement for a Diesel Particulate Filter (DPF) or Diesel Exhaust Fluid (DEF).

Quality & Support

Baoli forklifts come with the KION NA Standard Warranty and 12-months return on initial parts orders excluding maintenance parts.

1st Year: Standard Equipment/Unlimited Hours

2nd Year: Standard Powertrain/4,000 Hours

Extended warranty available

Service Network

Fully integrated into the KION North America supply chain and service system, Baoli provides shared resources from KION brands and offers a well-developed sales and service network. With Baoli spare parts in stock at the KION North America warehouse, spare parts delivery is possible within 24 hours throughout the U.S. through our authorized dealers.

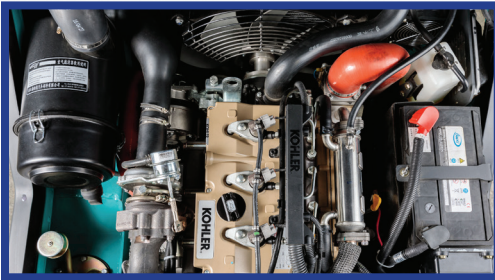
Standard Equipment

- Solid pneumatic (SE) drive and steer tires
- Triplex 89.8 - 189 - 65 mast
- 6° forward, 6° backwards tilt
- Bolzoni hang-on side shifter
- 40.9" wide load backrest
- Cab configurable, 83" OHG
- Left and right external rearview mirrors
- Rear pillar assist handle with horn
- Three individual hydraulic control levers
- Three function valve and reeving
- Neoprene mounted steer axle
- Tilting, adjustable steering column
- Comfort suspension seat with orange seat belt
- Sequential seat belt interlock
- Rear road lights (brake, reverse, turn signals)
- LED twin spotlights forward - OHG mounted
- Back-up alarm and strobe light
- High air intake
- KION NA Standard Warranty



Comfort & Convenience

The KBD line is equipped with many operator comfort and convenience features at no extra cost. The fully suspended and cushioned operator compartment, SE tires, adjustable comfort suspension seat and tilt steering column provide a more comfortable ride while accommodating different operators. Dual rear-view mirrors, LED work lights and a rear pillar assist handle with horn are among the work assist features on this model.



Easy Maintenance

- 500-hour maintenance interval
- Single-side engine maintenance
- Engine hood opens to nearly 90 degrees
- Onboard diagnostics



Options

- 4th-function hydraulics with four individual mechanical levers
- Blue spotlight rear – Left OHG mounted
- LED single spotlight rear – Right OHG mounted
- Full cab with heater (front/rear windows, wipers, right/left doors with glass, overhead light)
- Partial cab (front/rear windows with wipers)
- Non-marking tires
- Dual tires front
- Baoli orange color
- Compartment fan
- Fire extinguisher

Standard truck meets all applicable mandatory requirements of ANSI/ITSDF B56.1 standards for powered industrial trucks. NOTE: Performance data may vary due to motor and system efficiency tolerances. The performance depicted represents nominal values obtained under typical operating conditions. Metric dimensions are in millimeters unless otherwise specified. All metric dimensions are not direct equivalents due to rounding data. The descriptions and specifications included on this data sheet were in effect at the time of printing. KION North America Corporation reserves the right to make improvements and changes in specification or design without notice and without incurring obligation. Please check with your authorized Baoli dealer for information on possible updates or revisions.

KION North America Corporation
 2450 West 5th North Street, Summerville, SC 29483
 Phone: 843 875 8000 Truck Sales Fax: 843 875 8471
 E-mail: trucksales.na@kiongroup.com
 www.kion-na.com